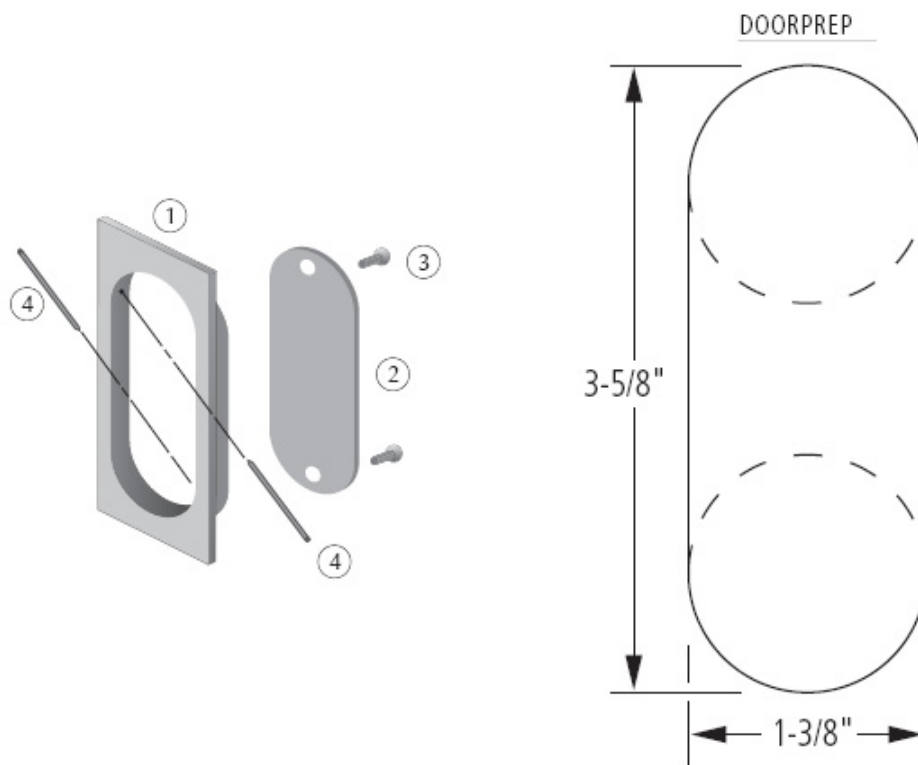


INSTALLATION INSTRUCTIONS

Seamless Transaction with Enhanced Product Features delivered on time and quality correct.



312 FLUSH PULL

- A. Prep face of door, as per diagram, to depth of 1/2".
Face plate of flush pull will sit "proud" of face of door 1/8".
- B. Mount flush pull (1) to door using brad nails are unfinished brass.